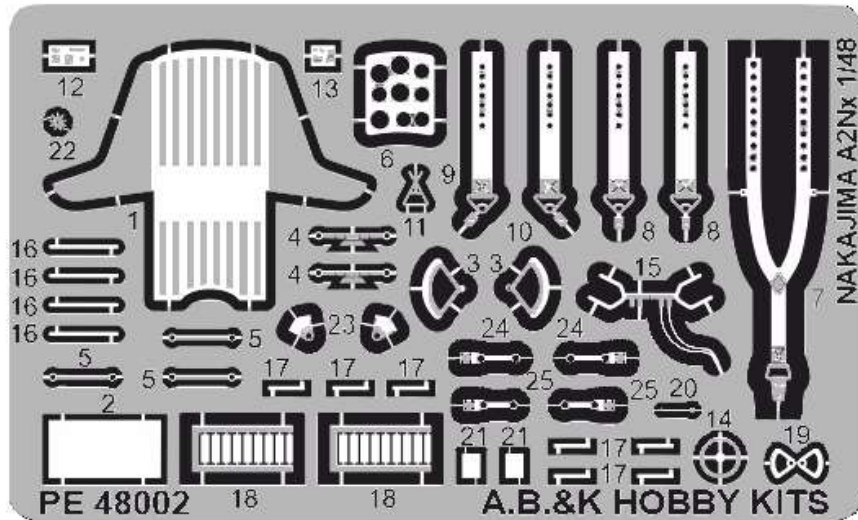
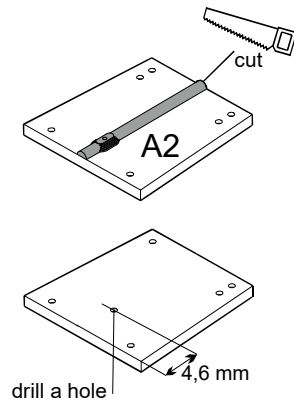


Detail set for 4005

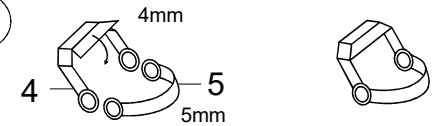
Instruction sheet for resin and photo-etched parts



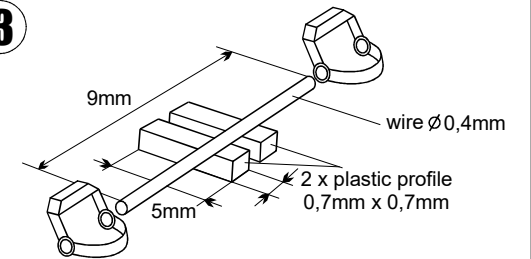
1 Modification of part A2 from kit



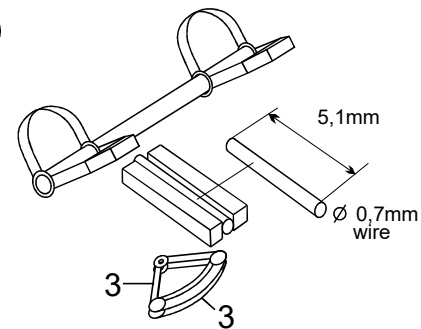
2



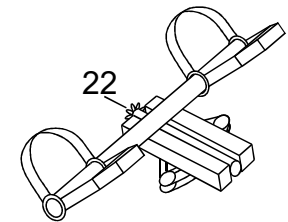
3



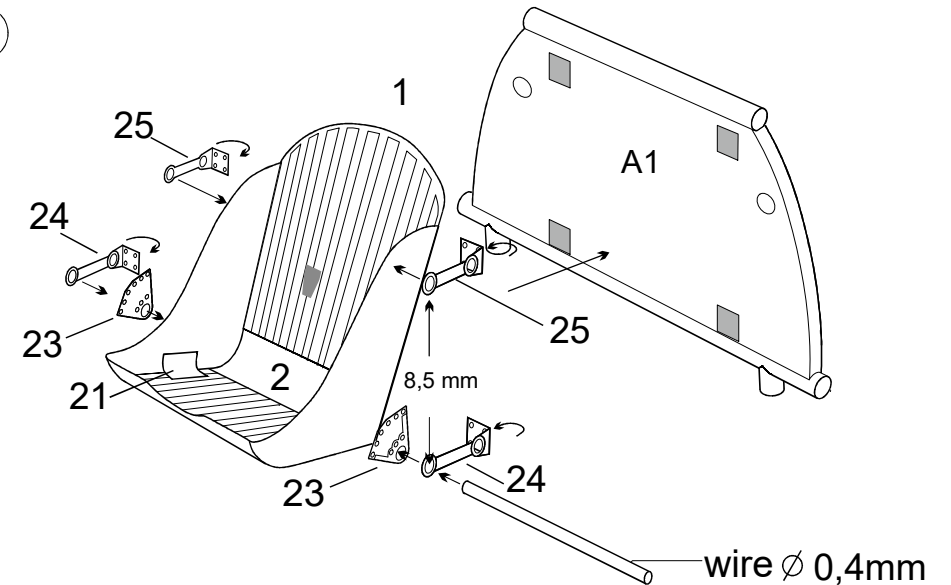
4



5

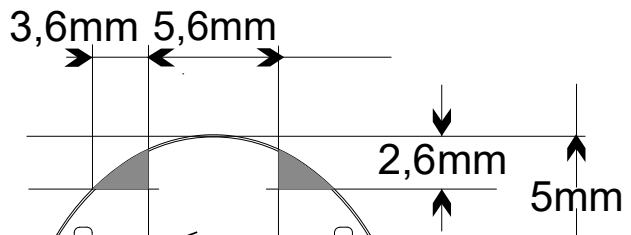


6



Modification of part A5 from kit

7

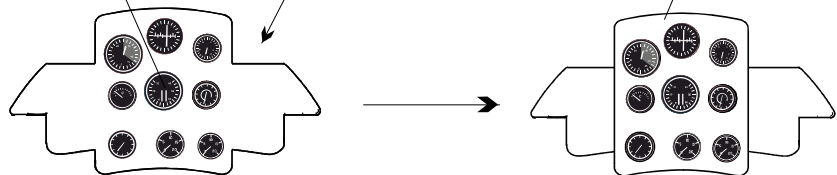


A5

Mod.part A5

Decal 15

6

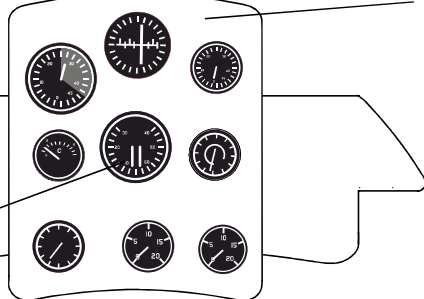


Instrument panel

Mod.part A5

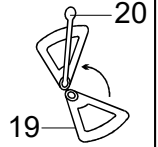
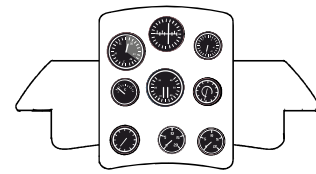
6

Decal 15

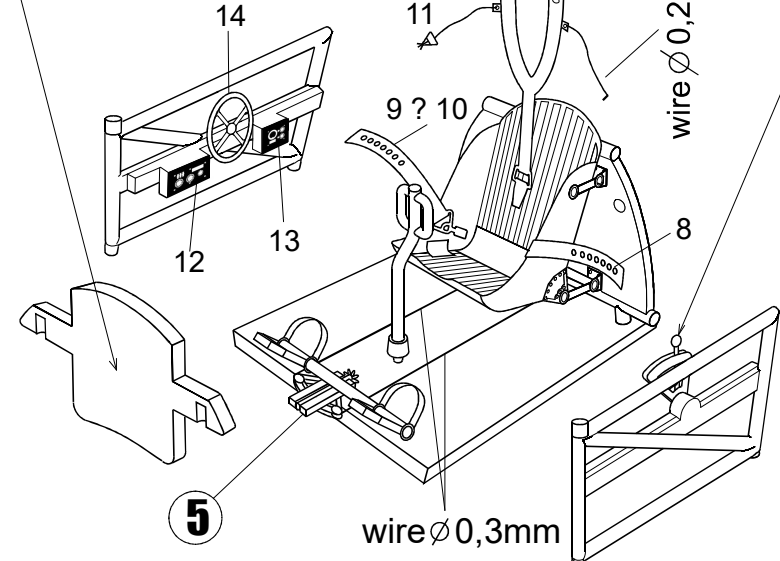


Instrument panel

8

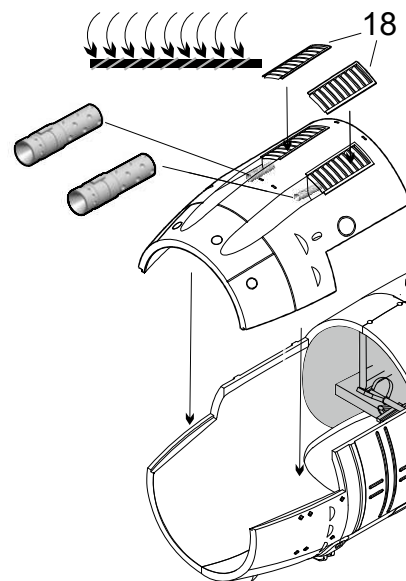


9

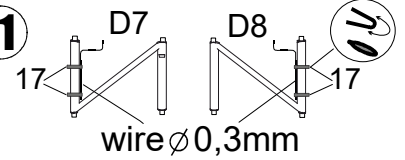


wire \varnothing 0,2mm
wire \varnothing 0,3mm

10

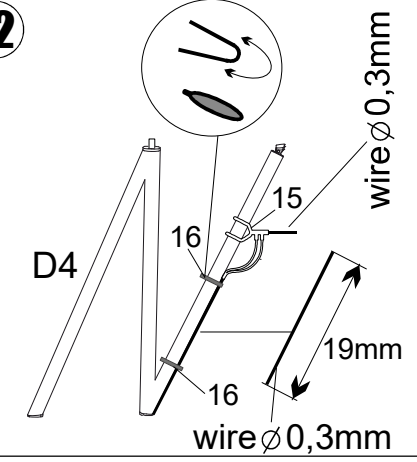


11



wire \varnothing 0,3mm

12



wire \varnothing 0,3mm
19mm
wire \varnothing 0,3mm