

# NAKAJIMA A2N2 1/48 ABK MODELS

NAVY TYPE 90-II CARRIER-BASED FIGTER 九式二号艦上戦闘機 (A2N2)

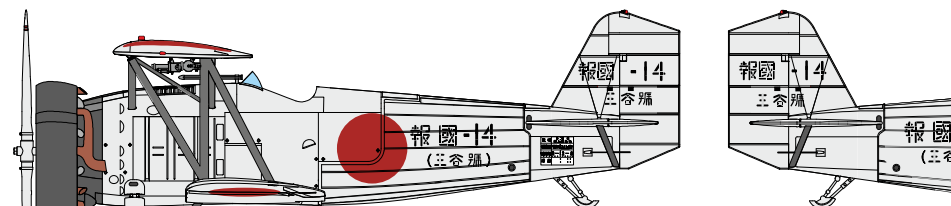
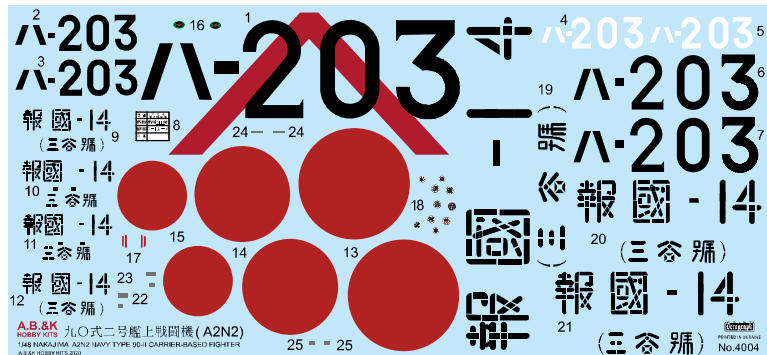


## General characteristics:

Crew: 1  
 Length: 6.183 m  
 Wingspan: 9.37 m  
 Height: 3.025 m  
 Empty weight: 1.045 kg  
 Loaded weight: 1550 kg  
 Power: one Nakajima Kotobuki 2 9-cylinder air-cooled radial piston engine 343-433 kW (460-580 hp)  
 Propeller: 2-bladed Hamilton Standard fixed-pitch propeller  
 Guns: 2x 7.7 mm machine guns

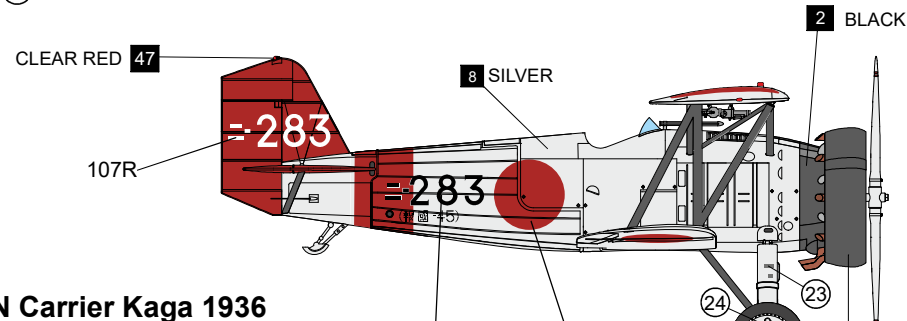
## Performance:

Maximum speed: 293km/h  
 Cruise speed: 167 km/h  
 Range: 500 km  
 Endurance: 3 hours  
 Service ceiling: 9,000m 45 seconds  
 Climb to: 3,000m in 5 minutes

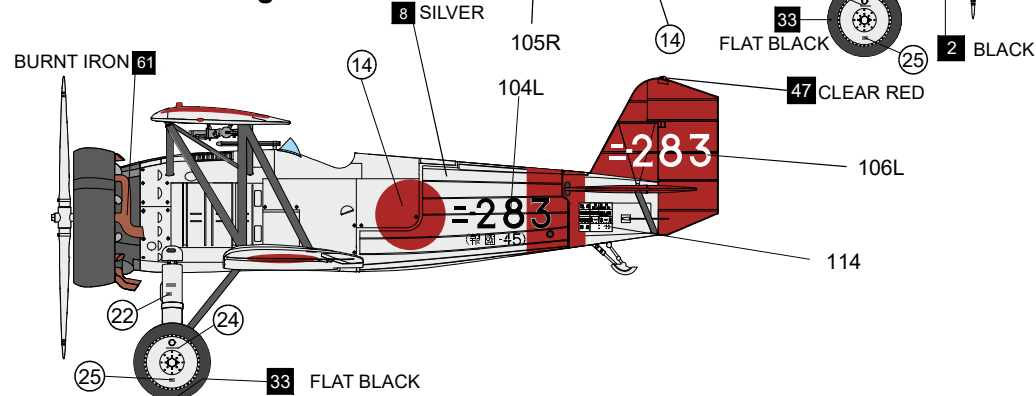


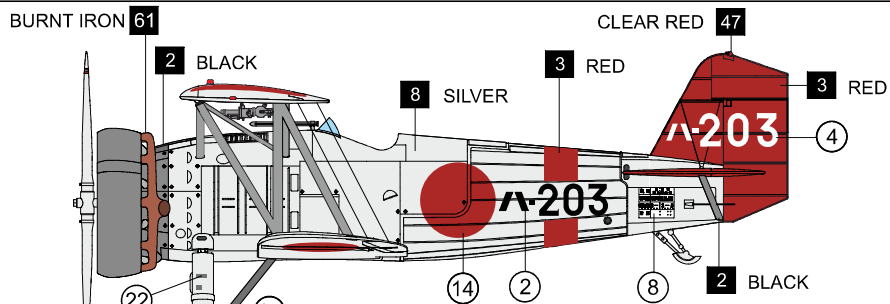
Hokoku #14 without red tail September 1933  
 (before deployment on a IJN Carrier Kaga)

33 FLAT BLACK

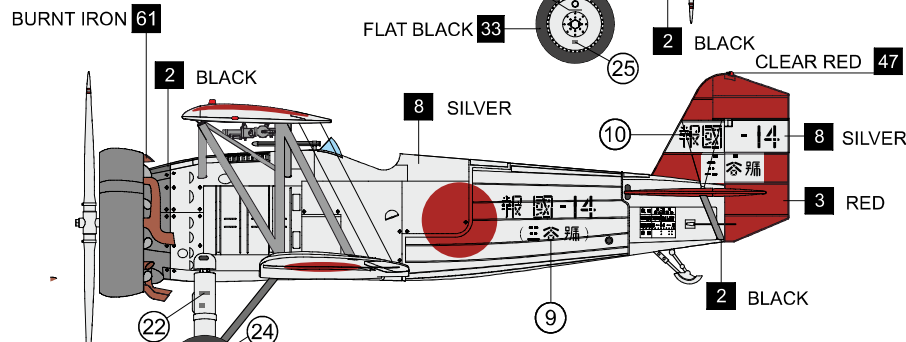
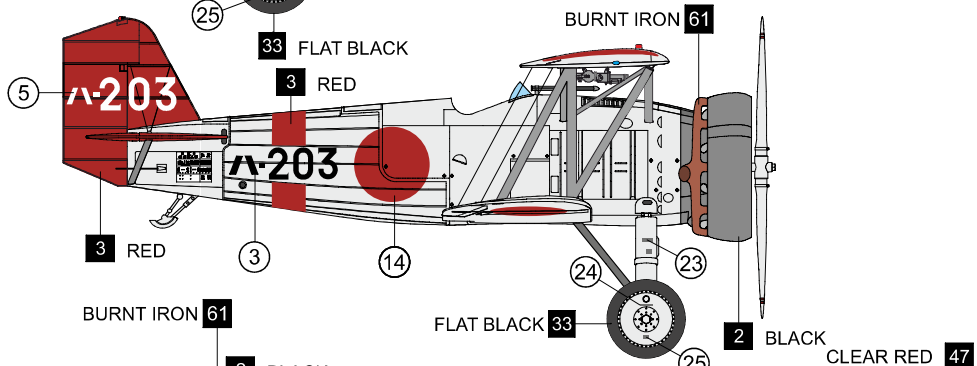


IJN Carrier Kaga 1936

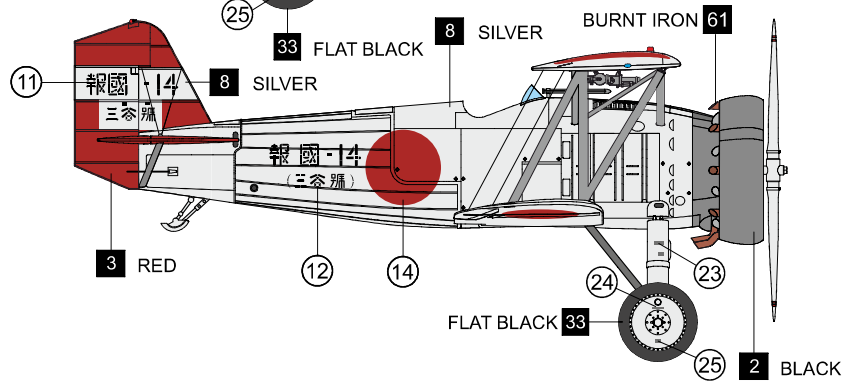




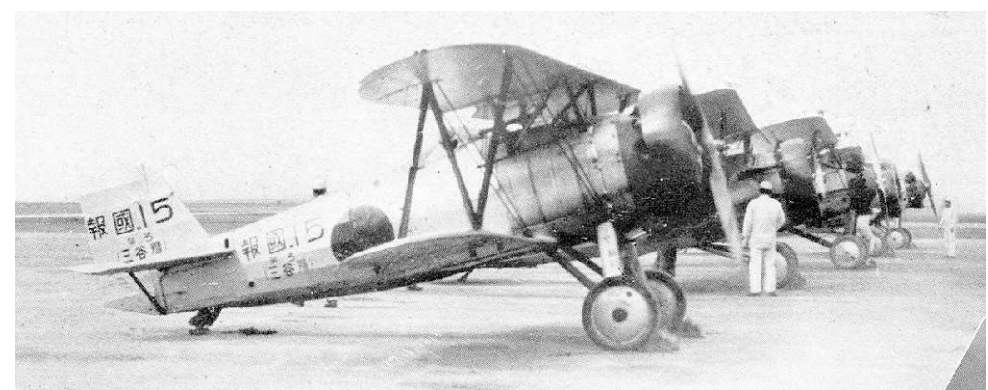
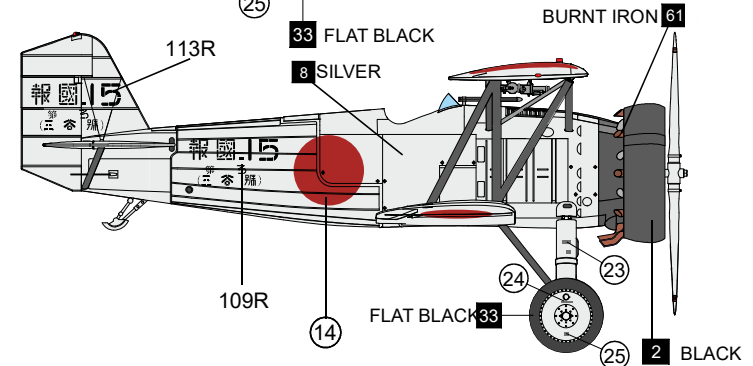
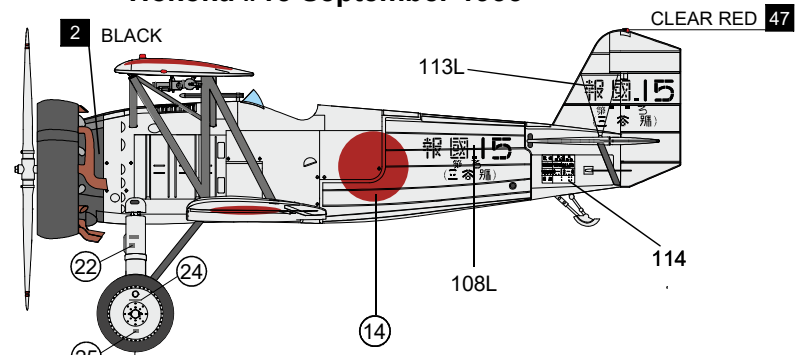
### IJN Carrier Akagi 1935



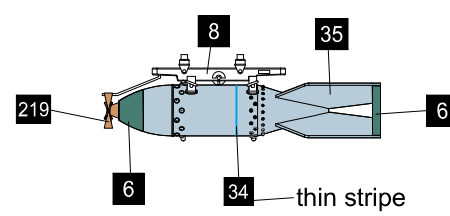
### IJN Carrier Kaga 1935



### Hokoku #15 September 1933

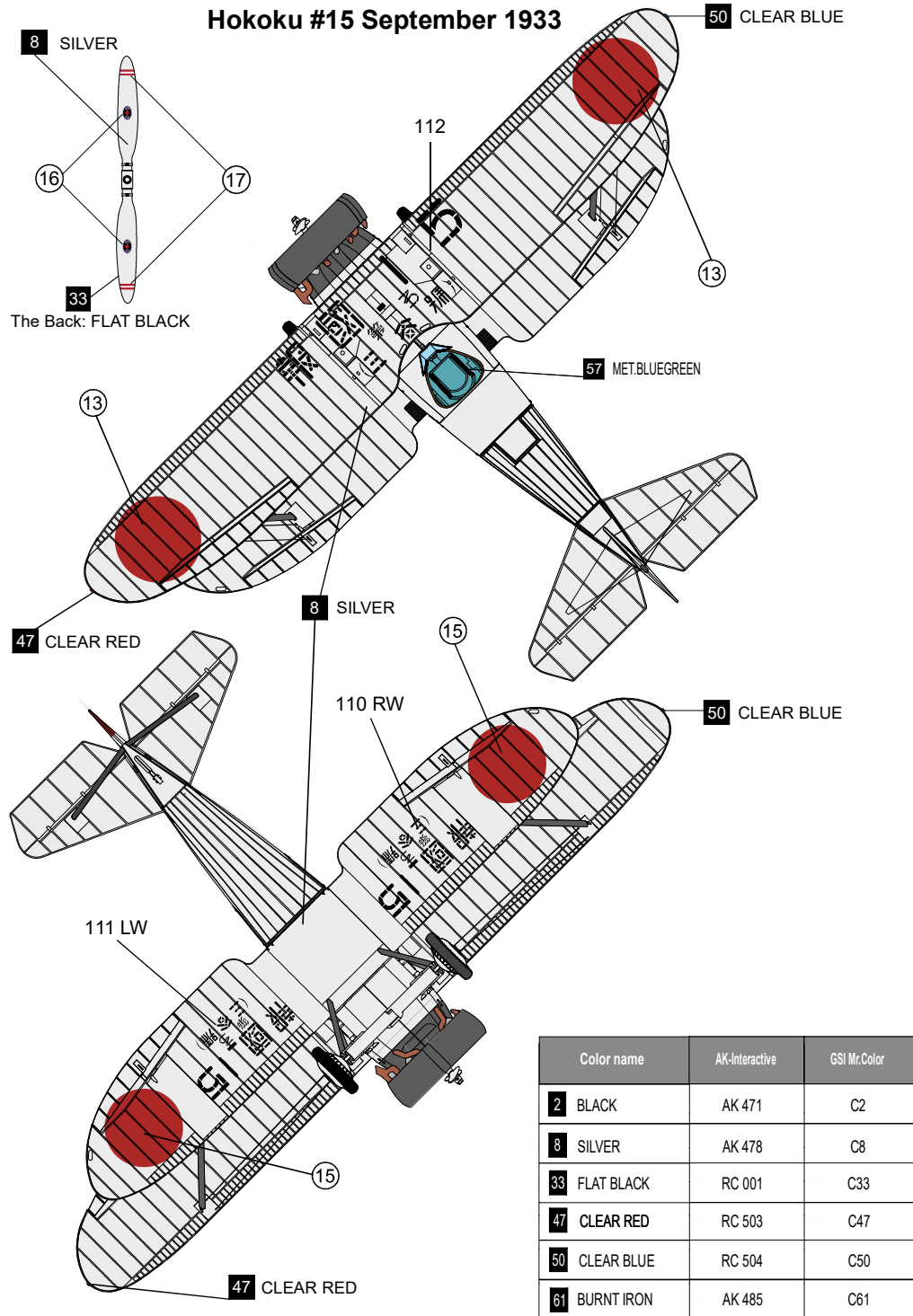


Land Bombs Type 97 No.6

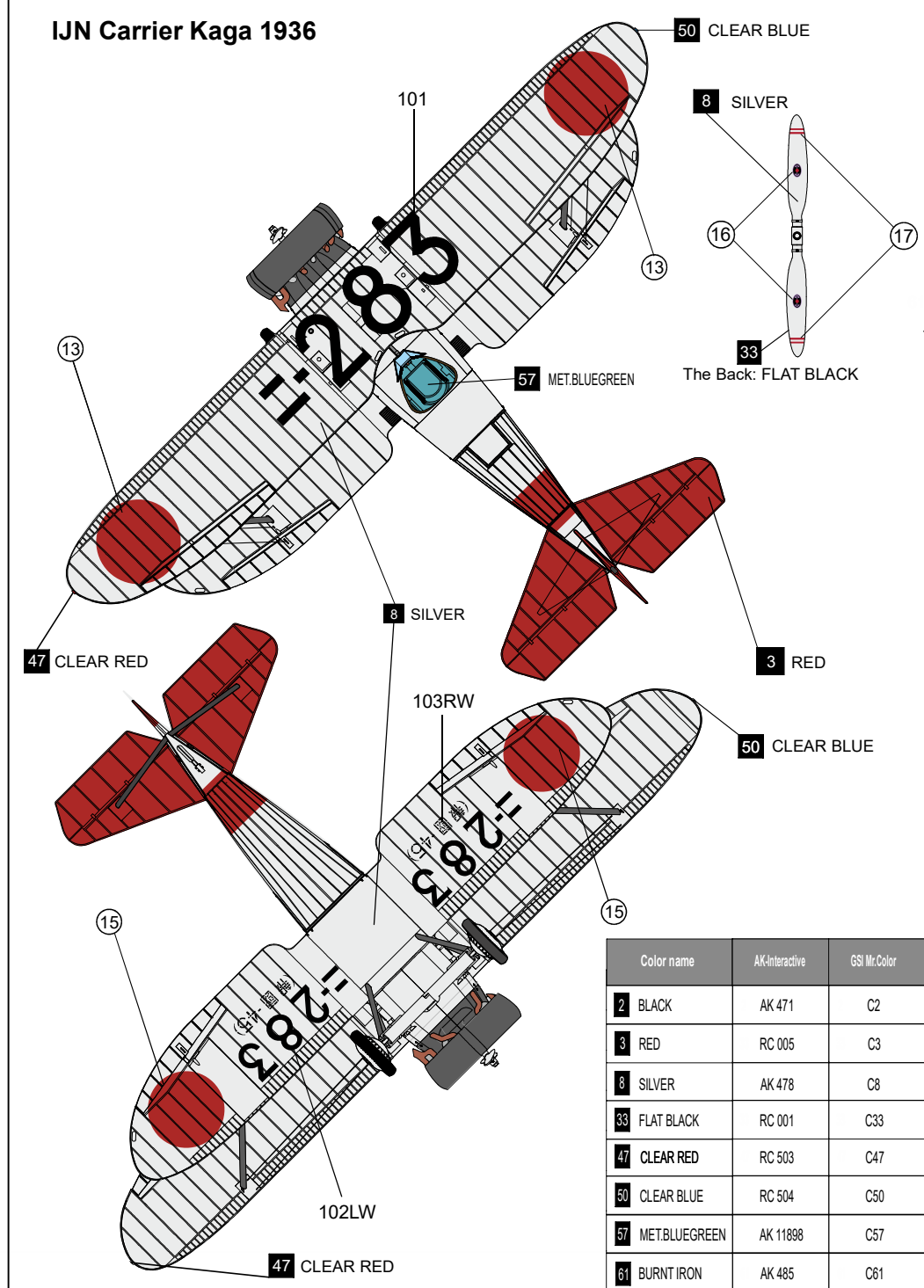


Color name	AK-interactive	GSI Mr.Color
6 GREEN	RC 012	C6
8 SILVER	AK 478	C8
34 SKY BLUE	RC 291	C34
35 IJN GREY	RC 302	C35
219 BRASS METALLIC	AK 475	Mc219

### Hokoku #15 September 1933



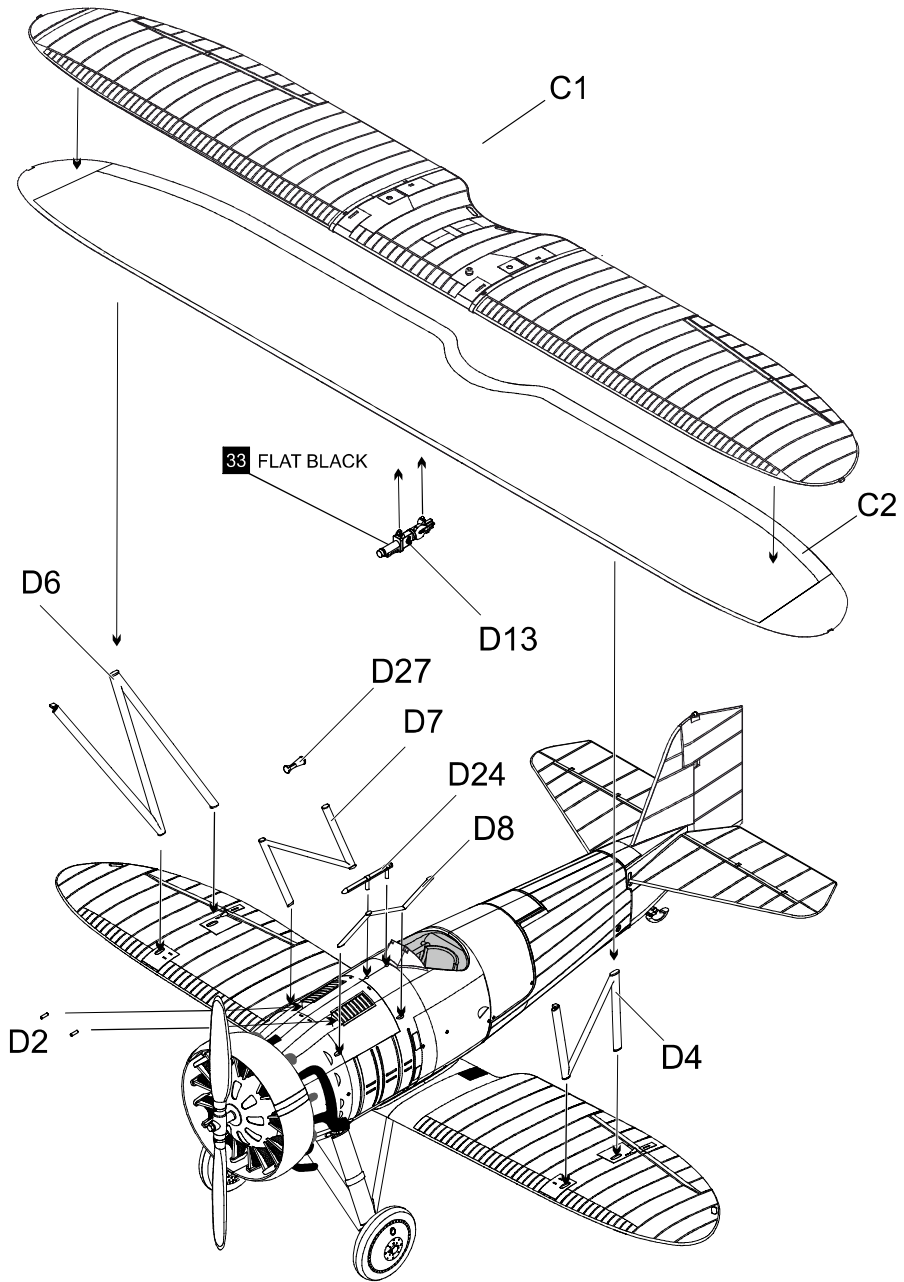
### IJN Carrier Kaga 1936





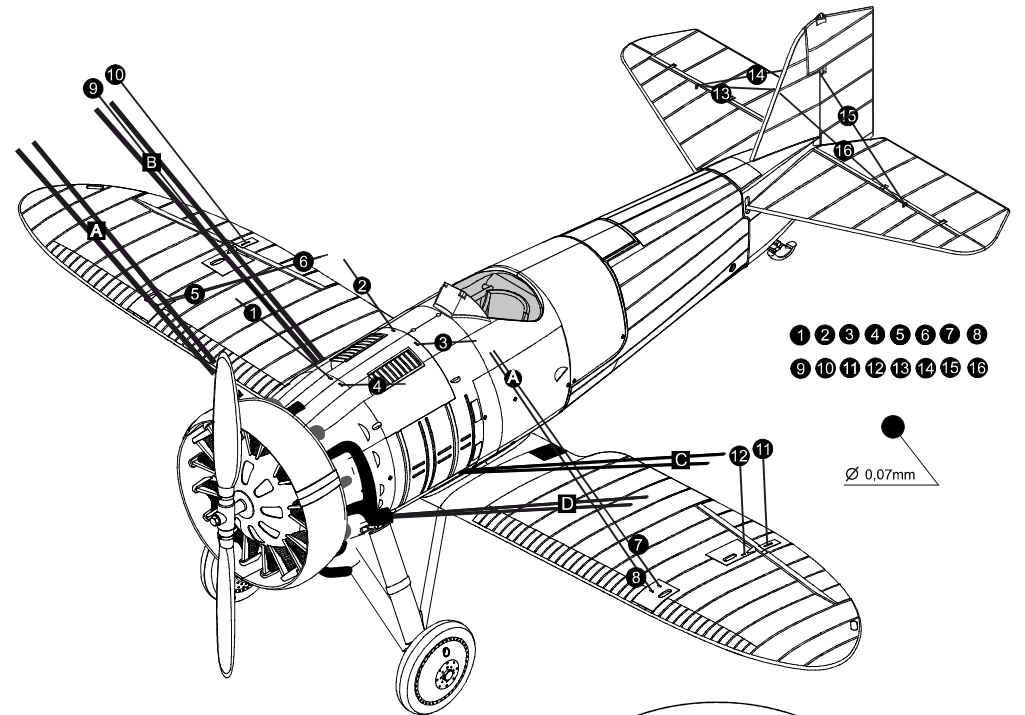


11

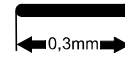


12

Nakajima A2N2 biplane wire bracing system



A B C D

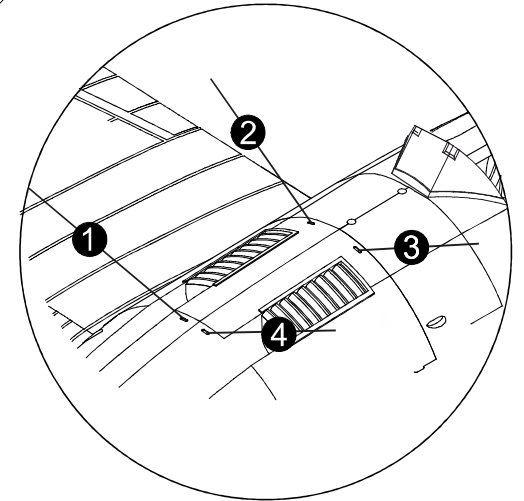


Interplane bracing struts

Ribbon for embroidery



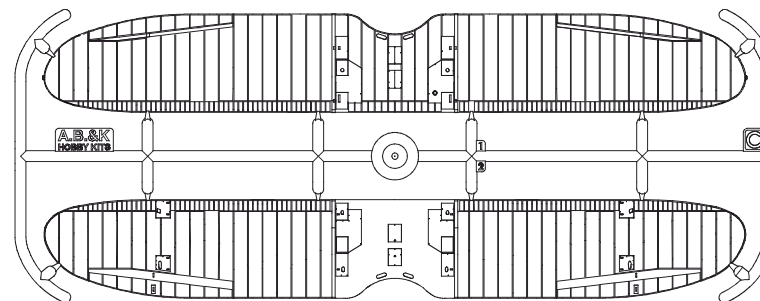
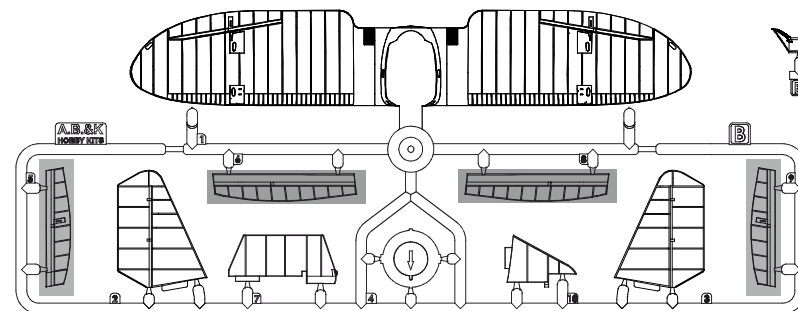
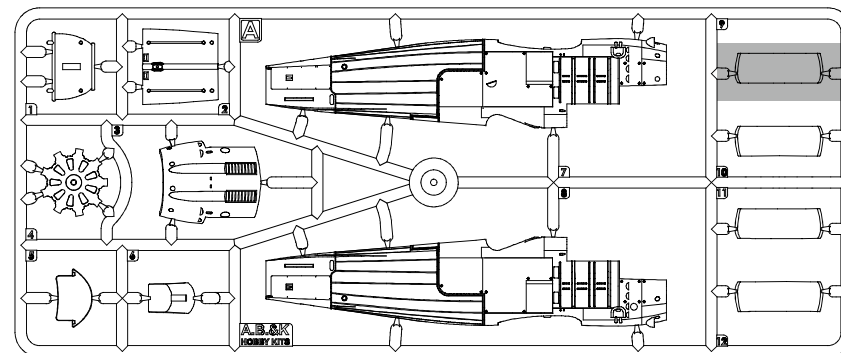
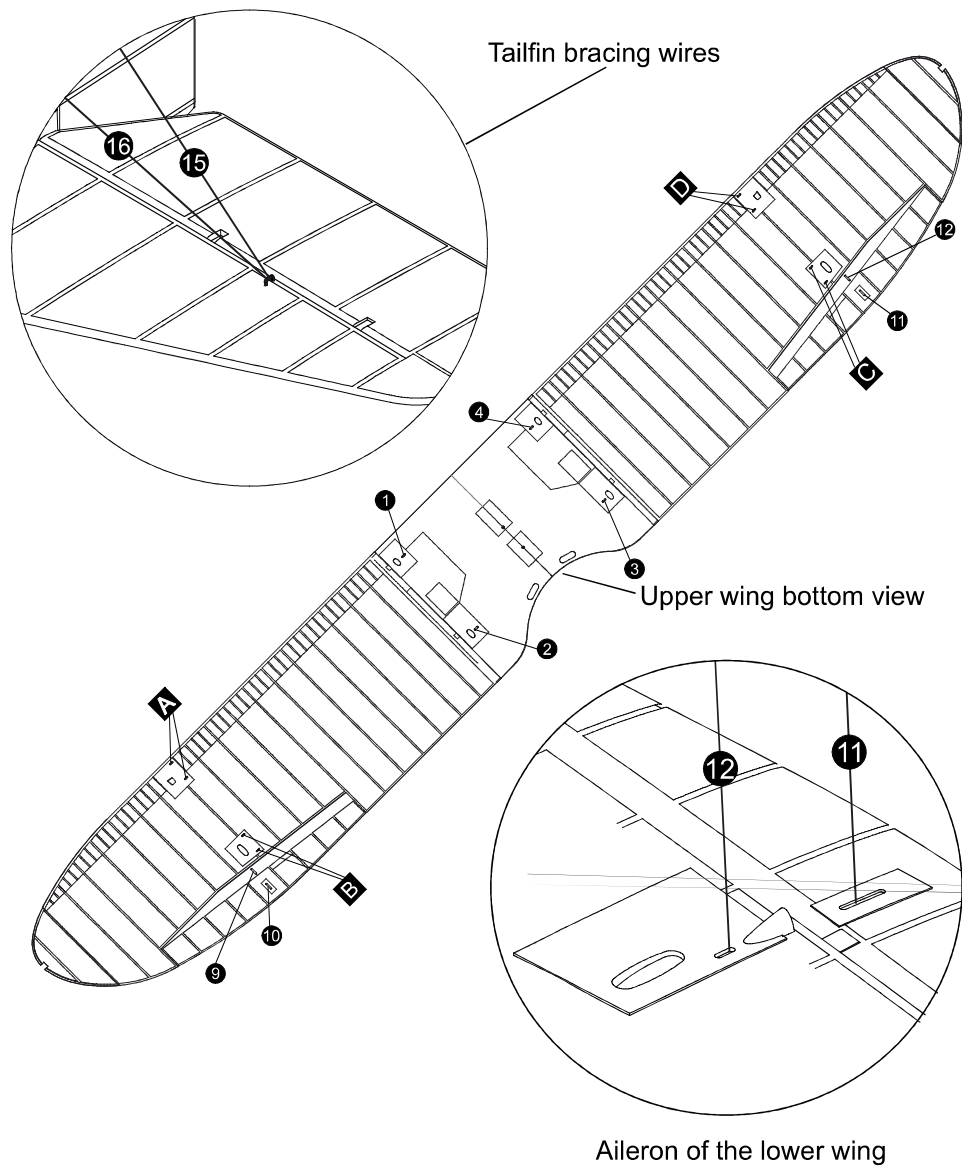
SULKY 250YD



Centre-section bracing struts

13

Nakajima A2N2 biplane wire bracing system



R1

R2

