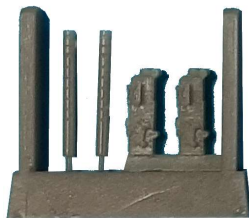
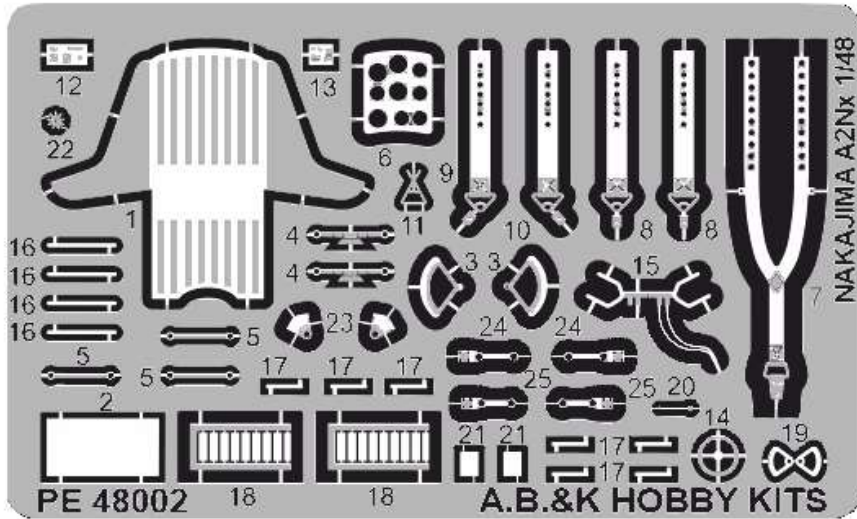
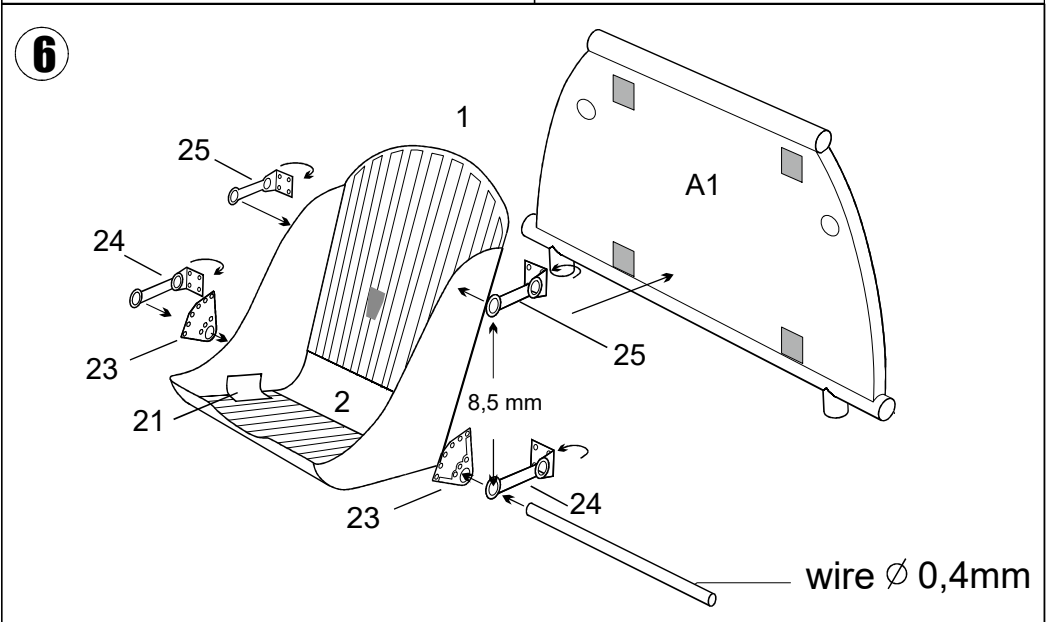
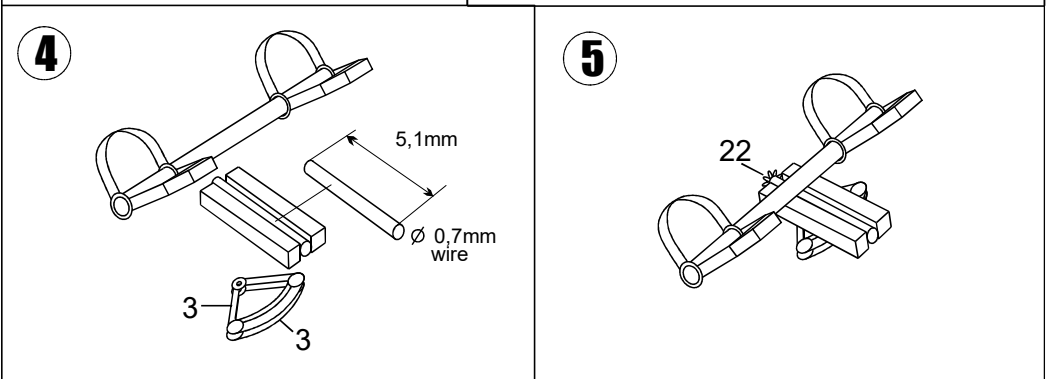
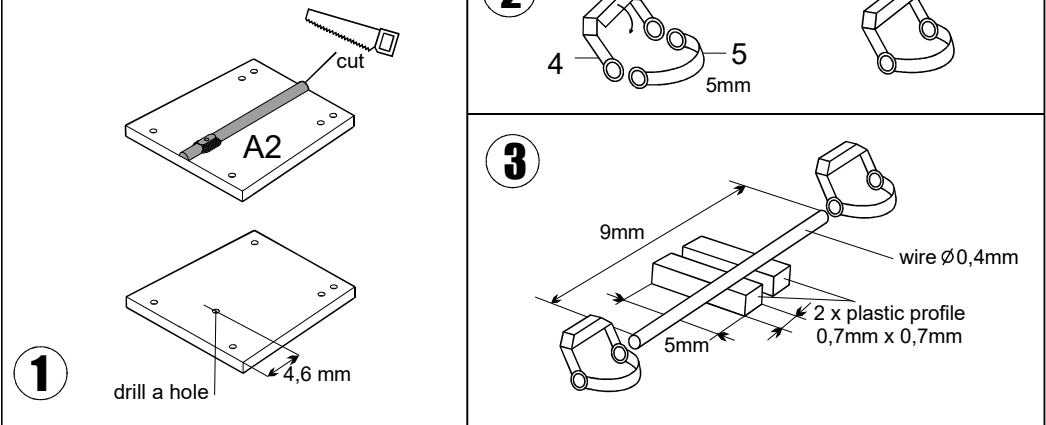


Detail set for 4001

Instruction sheet for resin and photo-etched parts

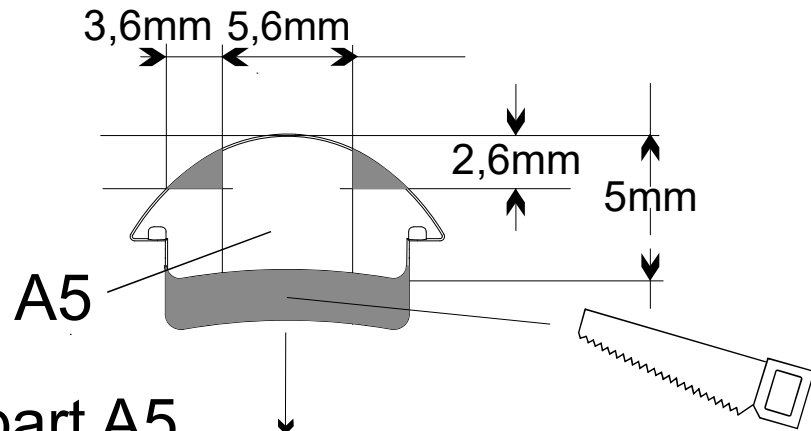


Modification of part A2 from kit



Modification of part A5 from kit

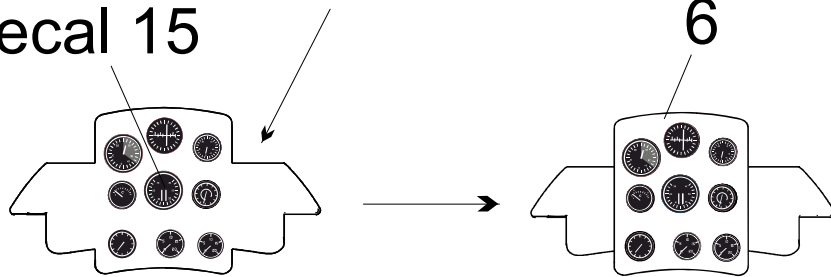
7



Mod.part A5

Decal 15

6

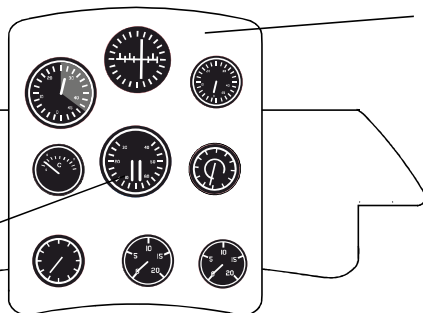


Instrument panel

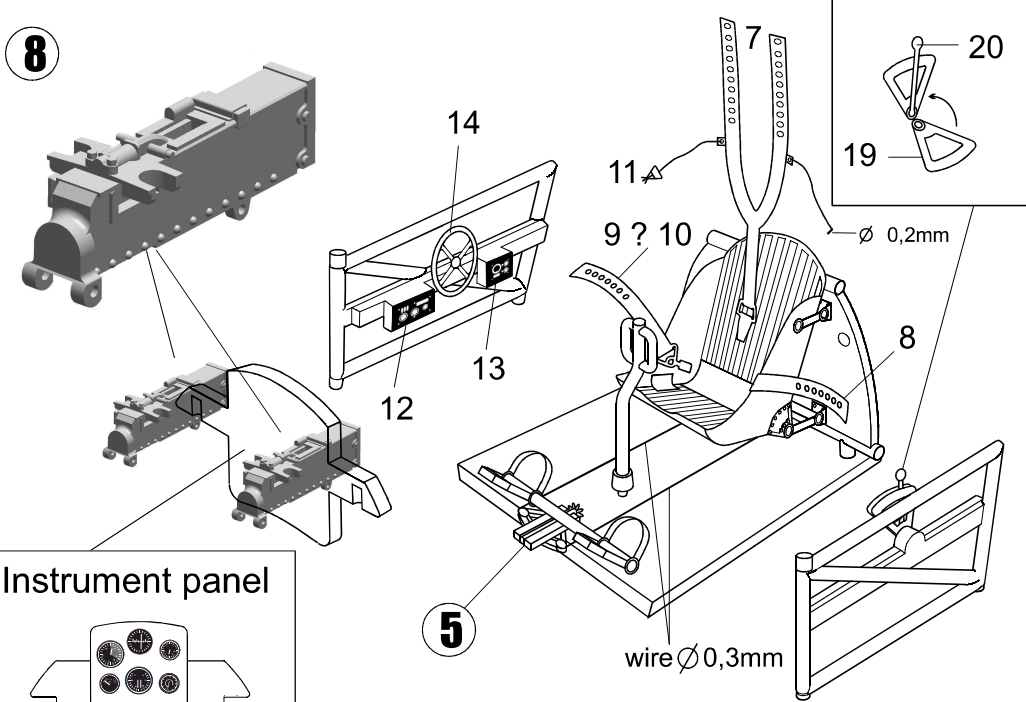
Mod.part A5

6

Decal 15

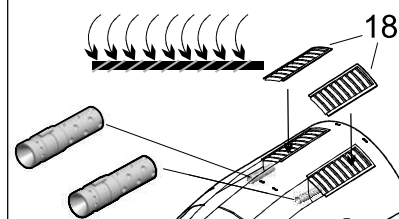


8

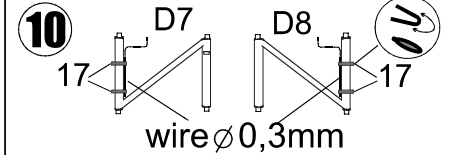


Instrument panel

9



10



11

