

1/72  SCALE AIRCRAFT RESIN KIT No.72002 WINGSPAN 159.72 mm FUSELAGE 127.88 mm

Focke-Wulf Triebflügel

VERTICAL TAKE OFF AND LANDING
LUFTWAFFE SECRET PROJECTS 1936 - 1945



General characteristics:

Crew: 1
Length: 9.15 m (30 ft 0 in) Wingspan: 11.5 m (38 ft 0 in)
Gross weight: 2,500 kg (5,200 lb)
Powerplant: 3 × Pabst ramjets, 8.9 kN (2,000 lbf) thrust each

Performance:

Maximum speed: 1,000 km/h (621 mph, 540 kn) Service ceiling: 15,300 m (50,000 ft)

Armament

Guns: 2×30mm MK 103 cannons and 2×20mm MG-151

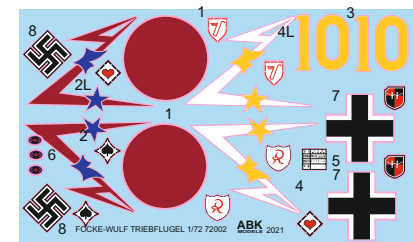
Model construction resin kit

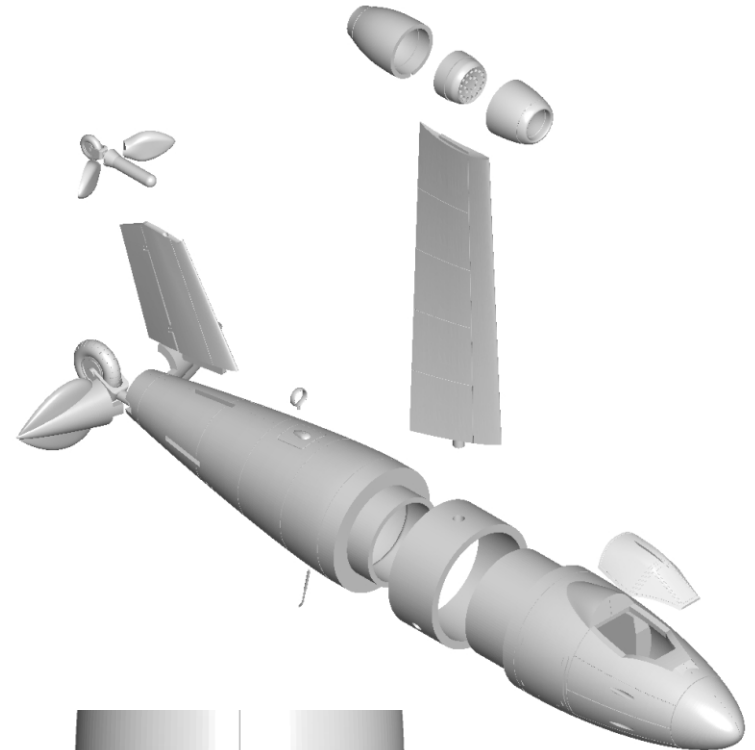
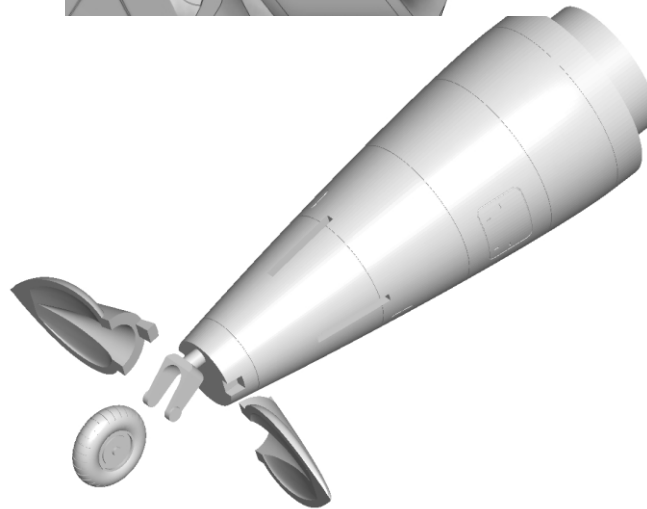
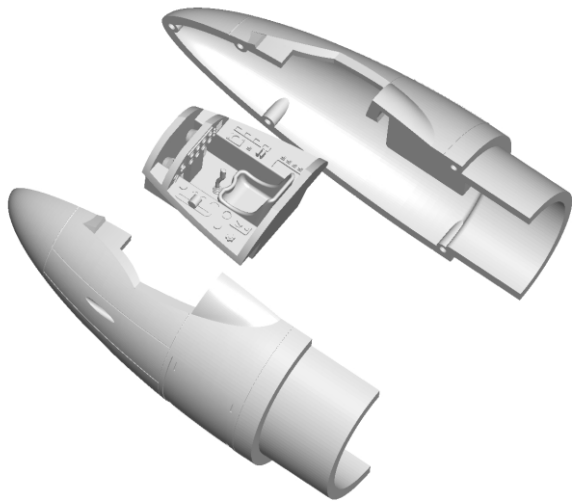
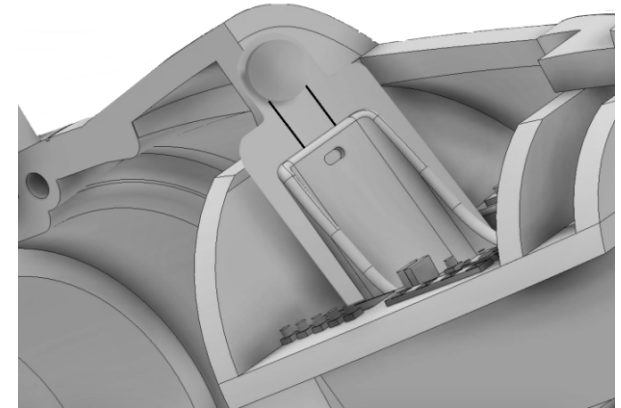
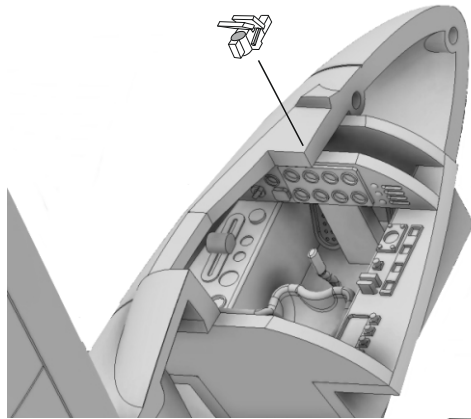
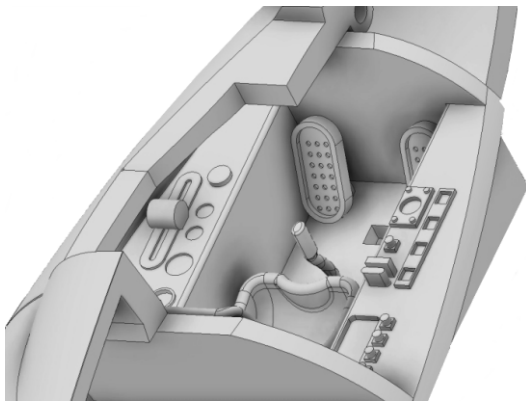
Ready to assembly scale resin kit
Wingspan: 159.72 mm
Fuselage : 127.88 mm
Resin parts : 44
Clear parts : 1
Barrels : 4
Decals : 1

ABK MODELS

www.abkmodels.cz

RK No.72002





Drill a hole for the main undercarriage leg

